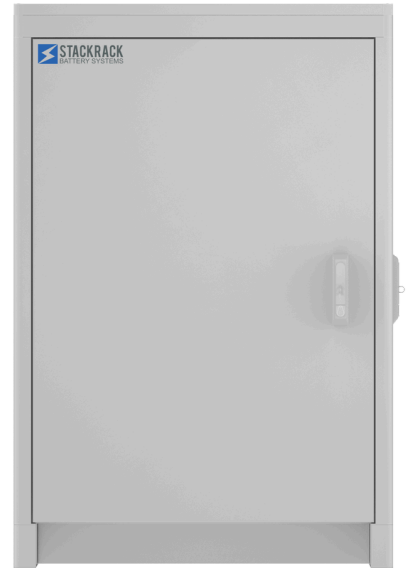




SRB6 Data Sheet



Modular Battery Systems for Homes & Businesses

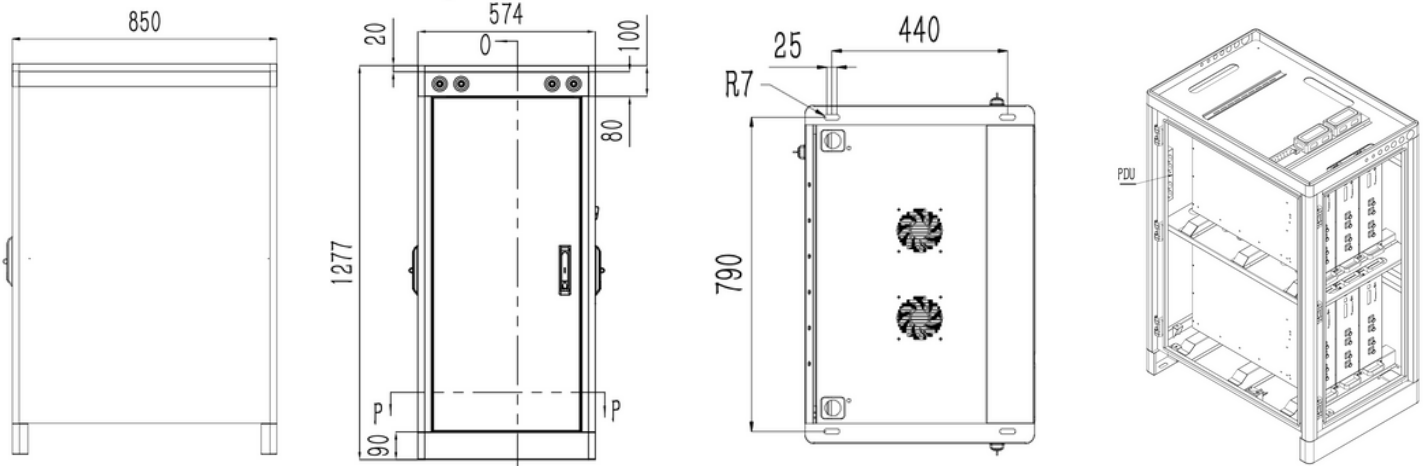
The SRB6 battery cabinet safely secures up to six SR5K-UL battery modules for up to 30 kWh of safe and reliable battery storage. The cabinet is made of galvanized steel with UV protected powder-coated finish for a sleek and durable design. The cabinet can be free-standing or pad mounted and installed indoors or outdoors.



- **EASY INSTALLATION WITH PLUG & PLAY DESIGN**
- **FREE-STANDING OR PAD MOUNT**
- **IP55 (NEMA 3R) FOR INDOOR & OUTDOOR USE**
- **CONNECT MULTIPLE CABINETS FOR MORE STORAGE**
- **TEMPERATURE CONTROLLED COOLING FANS**
- **BATTERY CABLES INCLUDED**



SRB6 Data Sheet



| | |
|------------------------------------|--|
| Cabinet Material | Galvanized Steel |
| Cabinet Rating | IP55 (NEMA 3R) |
| Cabinet Color | White |
| Dimensions (H x W x D) | 50.3 x 33.5 x 22.6 in (1277 x 850 x 572mm) |
| Weight | 125 lbs |
| Maximum Battery Units | 6 SR5K-UL |
| Storage Capacity Range | 5 to 30 kWh |
| Knockout Size | 8x concentric (0.5" to 2") |
| Positive/Negative Battery Busbars | 2 x 4 points; M8 (5/16) Terminal Rings |
| Positive/Negative Inverter Busbars | 2 points; M10 (3/8) Terminal Rings |
| Battery Cables | 3 sets of "+" and "-" #4 Battery Cables |
| Cooling Method | 2 temp-controlled cooling fans (110VAC) |
| Mount Style | Floor-mount, Pad-mount |
| Mount Fixation | 4x 3/8" concrete lugs |
| Warranty | 10 years |
| Certifications | UL1973, UL9540, UL9540A, CEC, SGIP |

COMPATIBLE BATTERIES:

Batteries not included





2x 1/0 AWG Red Cable, 8' length
 or size wire based on 215A (full load) @ 2.5% voltage drop based on wire length.



2x 1/0 AWG Black Cable, 8' length
 or size wire based on 215A (full load) @ 2.5% voltage drop based on wire length.



3x 4 AWG Red Cable, 5' length



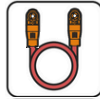
3x 4 AWG Black Cable, 5' length



1x 4 AWG Red Cable, 2' length



1x 4 AWG Black Cable, 2' length



2x 4 AWG Red Cable, 6" length



2x 4 AWG Black Cable, 6" length



1x 8 AWG Green Cable, 8' length



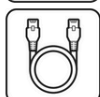
1x 8 AWG Green Cable, 4' length



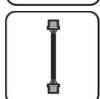
1x 8 AWG Green Cable, 24" length



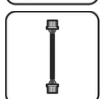
4x 8 AWG Green Cable, 12" length



1x Cat5 Standard Cable, 10'



1x Cat5 Standard Cable 24"



4x Cat5 Standard Cable 12"

Cable quantities listed based on 30 kWh system. Specific cables and quantities may vary based system configuration.