



TCL BREEZEIN Series Hi Wall Mounted Ductless Mini Split System – R454B

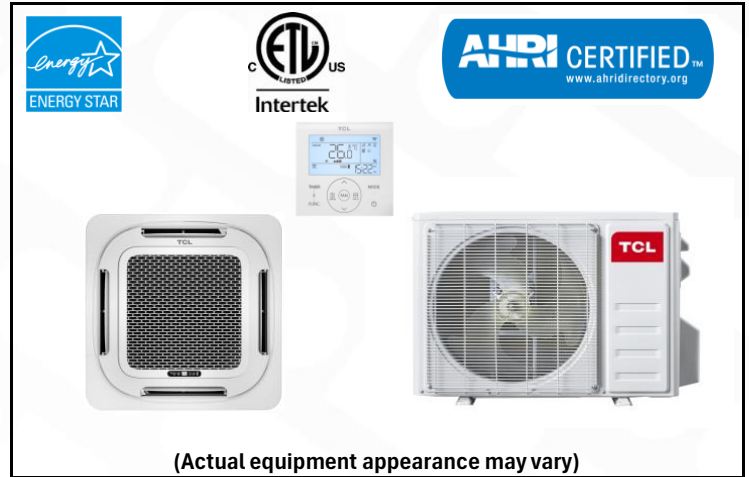
SUBMITTAL DATA SHEET

INSPIRE GREATNESS

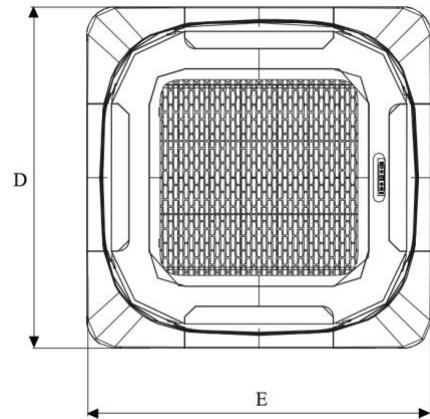
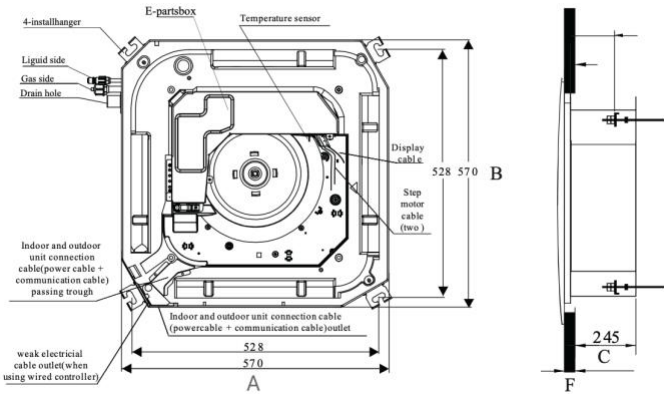
Job Name _____
 Buyer _____
 Submitted to _____
 Unit Designation _____

Location _____
 Engineer _____
 Reference _____ Approval _____ Construction _____
 Schedule # _____

AHRI #	215570370
Set Code	
Indoor Code	
Outdoor Code	
Set Model #	H09CSHU1XA
Indoor Model #	H09CSHU1XAE
Outdoor Model #	H09SBH23XPC
Certification	ETL AHRI Energy Star



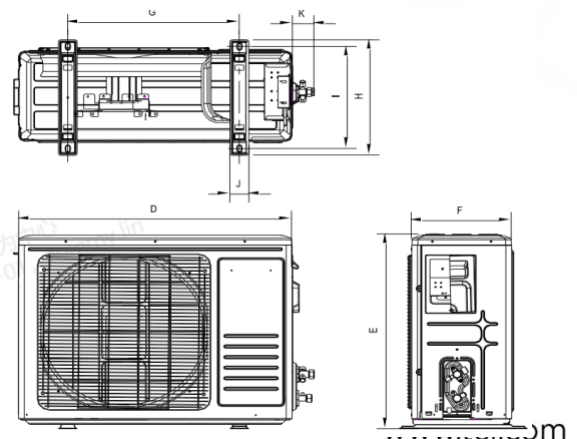
Indoor Unit Dimension



Model	indoor Unit (inch / mm)					
	A	B	C	D	E	F
H09SBH23BPE	22.4 / 570	22.4 / 570	9.6 / 245	25.5 / 650	25.5 / 650	2.3 / 60

Outdoor Unit Dimension

Model	Outdoor Unit (inch / mm)			
	D	E	F	G
H09SBH23XPC	29.8 / 758	21.6 / 549	9.9 / 252	17.0 / 433.8
	H	I	J	K
	12.0 / 305	10.9 / 278	1.9 / 48	2.0 / 52



TCL NORTH AMERICA

189 Technology Dr, Irvine, CA 92618



SUBMITTAL DATA SHEET

INSPIRE GREATNESS

SYSTEM PERFORMANCE DATA		
Power supply		
Power Supply		208/230V / 1Ph / 60Hz
Voltage Range (Min - Max)	V	165 - 265
Electrical		
Min. Circuit Ampacity - MCA	A	10
Max. FUSE Size	A	15
Connection Wiring		16AWG*4
Cooling at 95°F (35°C)		
Capacity	BTU/h	9,500
(Min - Max)		(2,000 ~ 10,400)
Rated Input Power	W	750
Rated Current	A	4.9
SEER2 / EER2		22 / 12
Heating at 47°F (8.3°C)		
Capacity	BTU/h	10,000
(Min - Max)		(2,500 ~ 12,500)
Rated Input Power	W	720
Rated Current	A	4.7
HSPF2 -4 / 5 / COP		10/ 4.2
Heating at 17°F (-8.3°C)		
Capacity	BTU/h	6,300
Heating at 5°F (-15°C)		
Capacity	BTU/h	7,800
COP		1.95

REFRIGERANT PIPING DATA		
Refrigerant Type / Charged	oz	R454b/ 25.04
Pre-Charge Length Total	ft (m)	25 (7.5)
Additional Charge	oz/ft	0.11
Design Pressure	PSIG	600
Line Set Sized (Liquid - Gas)	in	1/4 -3/8
Line Set Length (Min - Max)	ft (m)	16 ~ 50 (5 ~ 15)
Max. Pipe Elevation	ft (m)	33 (10)
Connection method		Flared
Throttle Type		Capillary

TEMPERATURE RANGE		
Indoor Cooling Range	°F (°C)	>=61 (16)
Indoor Heating Range	°F (°C)	<=88 (31)
Outdoor Cooling Range	°F (°C)	5 ~ 133 (-15 ~ 55)
Outdoor Heating Range	°F (°C)	-13 ~ 86 (-25 ~ 30)

General Features:

- Easy Installation
- Easy Maintenance
- High Efficiency
- Wireless Remote with LCD Display
- Invisible LED Display
- Turbo Cooling & Heating
- Extreme Cooling & Heating
- AI Algorithm Inverter Tech
- I FEEL Function
- 3D & Smart Air Flow
- ECO Mode
- Self-diagnosis
- Sleep Mode
- Healthy Filter
- Deep Self Cleaning
- Smart Wi-Fi & Voice Control
- Filter Reminder
- Auto Restart

INDOOR UNIT DATA		
Fan Motor Type		
Model		DC Motor with crossflow Fan ZKSP-30-8-137
Brand		Welling
Input Speed	W r/min	30 820
Performance		
Air Flow (Min - Max)	CFM	194~ 329
Sound Pressure (Min - Max)	dB(A)	32~ 43
Unit Data		
External Dimensions (W x H x D)	in mm	22.4 × 9.6 × 22.4 570 × 245 × 570
Package Dimensions (W x H x D)	in mm	28.3 × 11.8 × 25.9 718 × 301 × 657
Weight (Net / Gross)	Lbs.(kgs)	32 / 38.6 (14.5 / 17.5)
Thermostat type		Wireless Remote Controller with Wi-Fi®

OUTDOOR UNIT DATA		
Compressor Type		
Brand & Model		Rotary, Inverter GMCC/KSN98D31UEZA31
Input RLA		770 4.72
Motor Type		
Brand & Model		DC Broad-Ocean / ZW465A500049L
Input Speed	W r/min	33 1,000
Performance		
Air Flow (Max)	CFM	1170
Sound Pressure Level	dB(A)	54
Unit Data		
External Dimensions (W x H x D)	in mm	31.8 × 21.6 × 12 810 × 549 × 305
Package Dimensions (W x H x D)	in mm	33.5 × 23.6 × 14.0 852 × 600 × 358
Weight (Net / Gross)	Lbs.(kgs)	52.7 / 59.7 (23.9 / 27.1)
Limited Warranty		5 Years Parts, 7 Years Compressor